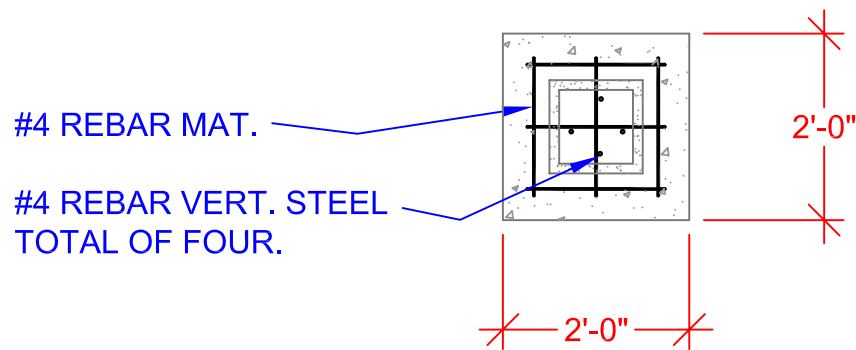


TOP VIEW OF FOOTING



NOTES:

1. SOLID GROUT COLUMN.
2. LAP REBAR MIN. OF 24"
FOR #4 REBAR.
3. MIN. 3" CLEARANCE FROM
REBAR TO EARTH.

ALL STEEL SHALL BE
A MINIMUM OF 3"
FROM EARTH



Development Department
Building Division

4' TO 6' HIGH SQUARE
MASONRY COLUMN

2007 CBC

14343 Civic Drive
Victorville, CA 92393

(760) 955-5100
Fax (760) 269-0073

02/06/2008